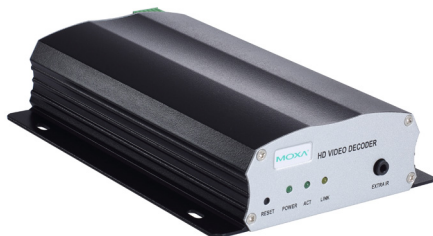


VP-022D

H.264 1080P real-time IP video decoder



- > Decodes H.264 video streams to an HDMI video signal
- > View up to 4 split screens on a single monitor
- > Manual selection of up to 16 video sources
- > Transparent PTZ control with legacy PTZ controller
- > Supports VPort encoders and VPort IP cameras



Introduction

The VPort VP-022D is a video decoder for decoding up to four H.264 video streams simultaneously from VPort video encoders and IP cameras to a digital signal. The digital signal can be transmitted via the VP-022D's HDMI port to monitors for live-view displaying. The VP-022D is a simple monitoring solution for displaying live images in locations where only a live video display is required, such as a control

room or guard house. Monitoring multiple cameras in a large CCTV system is also easy with the VP-022D. A virtual matrix streaming layout can be arranged by the user, hanging your displayed IP video streams is very easy and flexible, and up to 16 IP video sources can be included in the device list. The VP-022D also has four keyholes on its base designed for wall-mounting applications for easy installation.

Specifications

Video

Video Decoding: H.264 (MPEG4 part 10)
Video Inputs: Accepts video streams from VPort encoders and IP cameras over TCP/IP networks
Video Output: HDMI connector (1.3a Type A), 1080P output
Stream Multiplexor: 1 to 4, split screen
Video Sources: Up to 16, selected manually by web server or monitor interface

Audio

Audio Outputs: 1 RCA audio connector

Network

Protocols: ARP, TCP, IP, UDP, HTTP, DDNS, RTSP, RTCP, SNMP v1 v2

Ethernet: 1 10/100/1000BaseT(X) auto negotiating RJ45 port

Serial Port

Keyboard Input: 1 RJ45 port; supports RS-485 control via transparent PTZ

Mouse Input: USB, right-mouse-click, mouse wheel

GPIO

Relay Outputs: 1, 30 VDC (max.) @ 1 A

LED Indicators

Power: Constant-on if powered up

Reset: Reset to factory defaults

Act: Network ACT LED

Link: Network LINK LED

Power Requirements

Input: 1.5 A @ 12 VDC

Power Consumption: 18 W

Physical Characteristics

Housing: Metal

Dimensions: 180 x 130 x 43 mm (7.09 x 5.12 x 1.69 in)

Weight: 500 g (1.1 lb)

PTZ (Pan/Tilt/Zoom)

PTZ Camera Control: Transparent PTZ camera control with legacy PTZ controller through RS-485 PTZ port

Security

Password: User-level password protection

Environmental Limits

Operating Temperature: 0 to 50°C (32 to 122°F)

Ambient Relative Humidity: 0 to 80%

Standards and Certifications

EMI: CISPR 22, FCC Part 15B Class A

Emission:

EN 55022:2010 Class A

EN 61000-3-2: 2014

EN 61000-3-3: 2013

Immunity:

IEC 50130-4:2011

IEC 61000-4-2:2008

IEC 61000-4-3:2006+A1: 2007+ A2: 2010

IEC 61000-4-4:2012

IEC 61000-4-5:2014

IEC 61000-4-6: 2013

IEC 61000-4-11: 2004

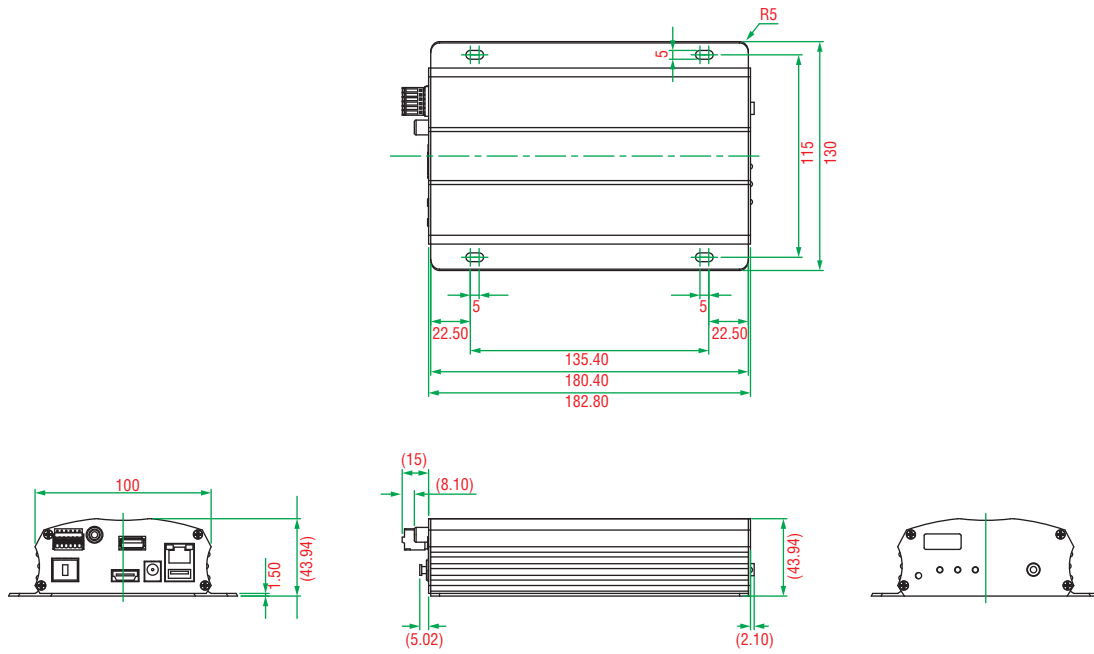
Warranty

Warranty Period: 3 years

Details: See www.moxa.com/warranty

Dimensions

Unit: mm (inch)



Ordering Information

Available Models

VP-022D: 4-channel H.264 industrial video decoder, 0 to 50°C operating temperature

Package Checklist

- VP-022D video decoder
- Mouse
- Adapter
- Documentation and software CD
- Warranty card