

SFP-10G Series

1-port 10 Gigabit Ethernet SFP+ modules



- > Digital Diagnostic Monitor Function
- > Compliant with IEEE 802.3ae
- > SFF-8432 SFP+ MSA compliant
- > Hot pluggable LC duplex connector
- > Class 1 Laser International Safety Standard IEC 825 compliant
- > RoHS compliant



Specifications

Interface

Connectors: Duplex LC Connector

10G Ethernet Ports: 1

Optical Fiber

	10G Ethernet SFP			
	SFP-SR		SFP-LR	SFP-ER
Transceiver Type	Multi-Mode		Single-Mode	Single-Mode
Fiber Cable Type	OM1	OM3	G.652	G.652
Typical Distance	33 m	300 m	10 km	40 km
Wave-length	Typical (nm)	850	1310	1550
	TX Range (nm)	840 to 860	1260 to 1355	1530 to 1565
	RX Range (nm)	840 to 860	1260 to 1600	1260 to 1600
Optical Power	TX Range (dBm)	-1 to -5	-8.2 to +0.5	-1 to +2
	Max. Rx (dBm)	+0.5	+0.5	-1
	Link Budget (dB)	8.3	7.4	15
	Dispersion Penalty (dB)	3.9	3.2	3

Note: When connecting the SFP-ER, we recommend using an attenuator to prevent damaged caused by excessive optical power.

Typical Distance: To reach the typical distance of specified fiber transceiver, please refer to formula: Link budget(dB) > dispersion penalty(dB) + total link loss(dB).

Power Requirements

Power Consumption: Max. 1.5 W

Environmental Limits

Operating Temperature: 0 to 60°C (32 to 176°F)

Note: When the SFP-10GERLC is used with the ICS-G7750A/G7752A/G7850A/G7852A series, the operating temperature is 0 to 55°C (32 to 131°F).

Storage Temperature: -40 to 85°C (-40 to 185°F)

Ambient Relative Humidity: 5 to 95% (non-condensing)

Standards and Certifications

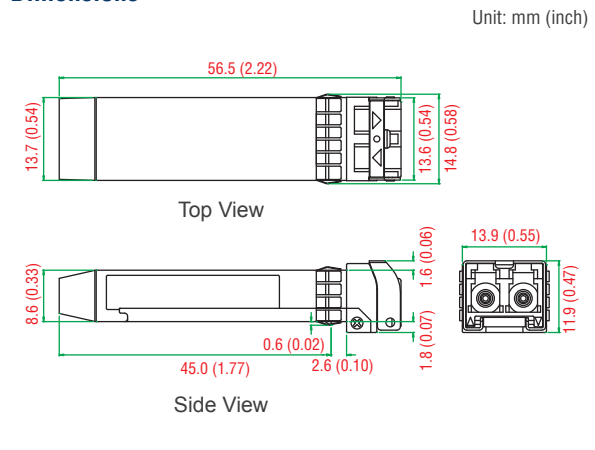
Safety: CE, FCC, TÜV, UL 60950-1

Warranty

Warranty Period: 5 years

Details: See www.moxa.com/warranty

Dimensions



Ordering Information

Available Models

SFP-10GSRLC: SFP+ module with 1 10GBase-SR port for 33 m transmission, LC connector, 0 to 60°C operating temperature

SFP-10GLRLC: SFP+ module with 1 10GBase-LR port for 10 km transmission, LC connector, 0 to 60°C operating temperature

SFP-10GERLC: SFP+ module with 1 10GBase-ER port for 40 km transmission, LC connector, 0 to 60°C operating temperature

Note: Please refer to the Moxa Ethernet SFP Transceiver Product Compatibility Matrix for products that can be used with these modules.

Package Checklist

- SFP-10G module
- Warranty card

Moxa Ethernet SFP Transceiver Product Compatibility Matrix

Refer to the product compatibility matrix below to determine which SFP modules are compatible with which product models. For more specification information about an SFP module, please refer to the module's datasheet.

Model	SFP-1FE Series	SFP-1G Series	SFP-1G Copper Series	SFP-10G Series
Industrial 10Gb Core Switches				
ICS-G7850A/G7852A Series	–	✓	✓	✓
ICS-G7750A/G7752A Series	–	✓	✓	✓
ICS-G7826A/G7828A Series	✓	✓	✓	✓
ICS-G7526A/G7528A Series	✓	✓	✓	✓
IM-G7000A-4GSFP	✓	✓	✓	–
Rackmount Ethernet Switches				
IKS-G6524A/G6824A Series	✓	✓	✓	–
IKS-6726A/6728A Series	✓	✓	–	–
IKS-6728A-8PoE Series	✓	✓	–	–
IM-6700A-8SFP	✓	–	–	–
DIN-Rail Ethernet Switches				
EDS-611/619 Series	✓	✓	–	–
EDS-G516E Series	✓	✓	✓	–
EDS-G512E Series	✓	✓	✓	–
EDS-G509 Series	✓	✓	–	–
EDS-518E Series	✓	✓	–	–
EDS-510E Series	✓	✓	–	–
EDS-518A Series	–	✓	–	–
EDS-510A Series	–	✓	–	–
EDS-G308-2SFP Series	✓	✓	✓	–
EDS-G205-1GTXSFP Series	✓	✓	–	–
EDS-210A Series	✓	✓	✓	–
IM-2GSFP	–	✓	–	–
Industrial Secure Router				
EDR-G903/G902 Series	✓	✓	–	–
EDR-810 Series	–	✓	✓	–
Industrial PoE Switches				
EDS-G512E-8PoE Series	✓	✓	✓	–
EDS-P510A-8PoE Series	✓	✓	–	–
EDS-P510 Series	✓	✓	–	–
EDS-G205A-4PoE Series	✓	✓	–	–
IEC61850-3 Ethernet Switches				
PT-G7509 Series	✓	✓	–	–
PT-7528 FX Series	–	✓	✓	–
PM-7500-2G/4GTXSFP	✓	✓	–	–
PM-7200-2G/4GTXSFP	–	✓	–	–
PM-7200-8SFP Series	✓	–	–	–
Industrial Media Converter				
IMC-21GA	✓	✓	–	–
IMC-101G Series	–	✓	–	–

Note: For 10Gb core switches, the 10G SFP port slot can only support a 10G SFP transceiver.